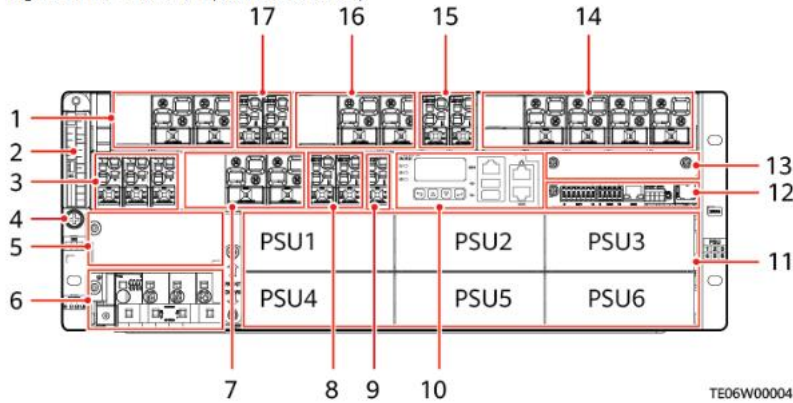


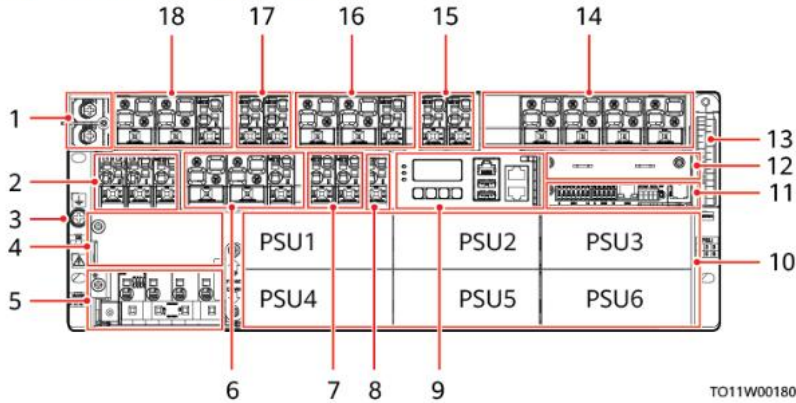
Product Introduction

Figure 2-1 ETP48400-C4A1 (01074762/01075024)



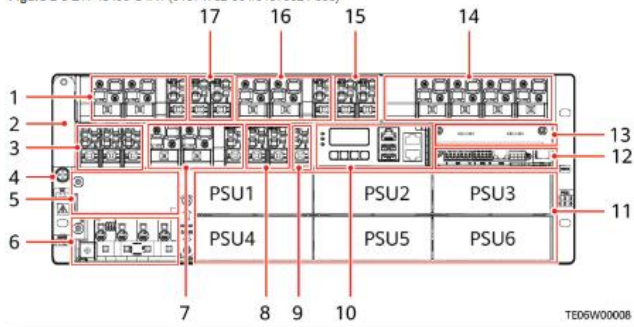
(1) User 1: LLVD power distribution	(2) Power distribution label	(3) AC output circuit breakers
(4) Ground screw	(5) Standby AC input module	(6) AC input module
(7) User 3: LLVD power distribution	(8) User 3: BLVD power distribution	(9) Common load circuit breaker
(10) SMU02C	(11) Space for rectifiers/Space for installing the SSU	(12) UIM05B1
(13) Reserved slot for communications expansion module CIM02C/NIM01C3	(14) Battery circuit breakers	(15) User 2: BLVD power distribution
(16) User 2: LLVD power distribution	(17) User 1: BLVD power distribution	

Figure 2-2 ETP48400-C4A1 (01075024-002)



(1) User wiring screws	(2) AC output circuit breakers	(3) Ground screw
(4) Standby AC input module	(5) AC input module	(6) User 3: LLVD power distribution
(7) User 3: BLVD power distribution	(8) Common load circuit breaker	(9) SMU02C
(10) Space for rectifiers/Space for installing the SSU	(11) UIM05B1	(12) Reserved slot for communications expansion module CIM02C/NIM01C3
(13) Power distribution label	(14) Battery circuit breakers	(15) User 2: BLVD power distribution
(16) User 2: LLVD power distribution	(17) User 1: BLVD power distribution	(18) User 1: LLVD power distribution

Figure 2-3 ETP48400-C4A1 (01074762-004/01075024-003)



TE06W00008

(1) User 1: LLVD power distribution	(2) Power distribution label	(3) AC output circuit breakers
(4) Ground screw	(5) Standby AC input module	(6) AC input module
(7) User 3: LLVD power distribution	(8) User 3: BLVD power distribution	(9) Common load circuit breaker
(10) SMU02C	(11) Space for rectifiers/Space for installing the SSU	(12) UIM05B1
(13) Reserved slot for communications expansion module CIM02C/NIM01C3	(14) Battery circuit breakers	(15) User 2: BLVD power distribution
(16) User 2: LLVD power distribution	(17) User 1: BLVD power distribution	

Table 2-1 Specifications

Project	ETP48400-C4A1 (01074762/01075024)	ETP48400-C4A1 (01075024-002)	ETP48400-C4A1 (01074762-004/01075024-003)
AC input system	220/380 V AC three-phase four-wire		
AC power distribution	<ul style="list-style-type: none"> AC input: one 4-pole 63 A circuit breaker, one 4-pole 63 A circuit breaker (backup, manual switch, mechanical interlock) AC output: three 1-pole 16 A circuit breakers 		
DC power distribution	<p>Three users in total, each of which includes:</p> <ul style="list-style-type: none"> LLVD: two 1-pole 125 A circuit breakers; one 1-pole 125 A circuit breaker can be added. BLVD: two 1-pole 63 A circuit breakers <p>Common load circuit breaker: one 1-pole 32 A circuit breaker Battery: four 1-pole 125 A circuit breakers; one 1-pole 125 A circuit breaker can be added.</p>	<p>Three users in total, each of which includes:</p> <ul style="list-style-type: none"> LLVD: two 1-pole 100 A circuit breakers; one 1-pole 40 A circuit breaker BLVD: two 1-pole 40 A circuit breakers <p>Common load circuit breaker: one 1-pole 32 A circuit breaker Battery: four 1-pole 125 A circuit breakers; one 1-pole 125 A circuit breaker can be added.</p>	<p>Three users in total, each of which includes:</p> <ul style="list-style-type: none"> LLVD: two 1-pole 100 A circuit breakers; one 1-pole 40 A circuit breaker BLVD: two 1-pole 40 A circuit breakers <p>Common load circuit breaker: one 1-pole 32 A circuit breaker Battery: four 1-pole 125 A circuit breakers; one 1-pole 125 A circuit breaker can be added.</p>
Components	<ul style="list-style-type: none"> Site monitoring unit: SMU02C User interface module: UIM05B1 (Optional) Communications expansion module: NIM01C3 or CIM02C Rectifier: R4850G2 or R4875G1 (maximum configuration: 6) SSU: S4850G1 (maximum configuration: 5) 		
AC surge protection	Nominal surge discharge current: 30 kA (8/20 μ s), five times respectively in the positive and negative directions		